



AEROFINA

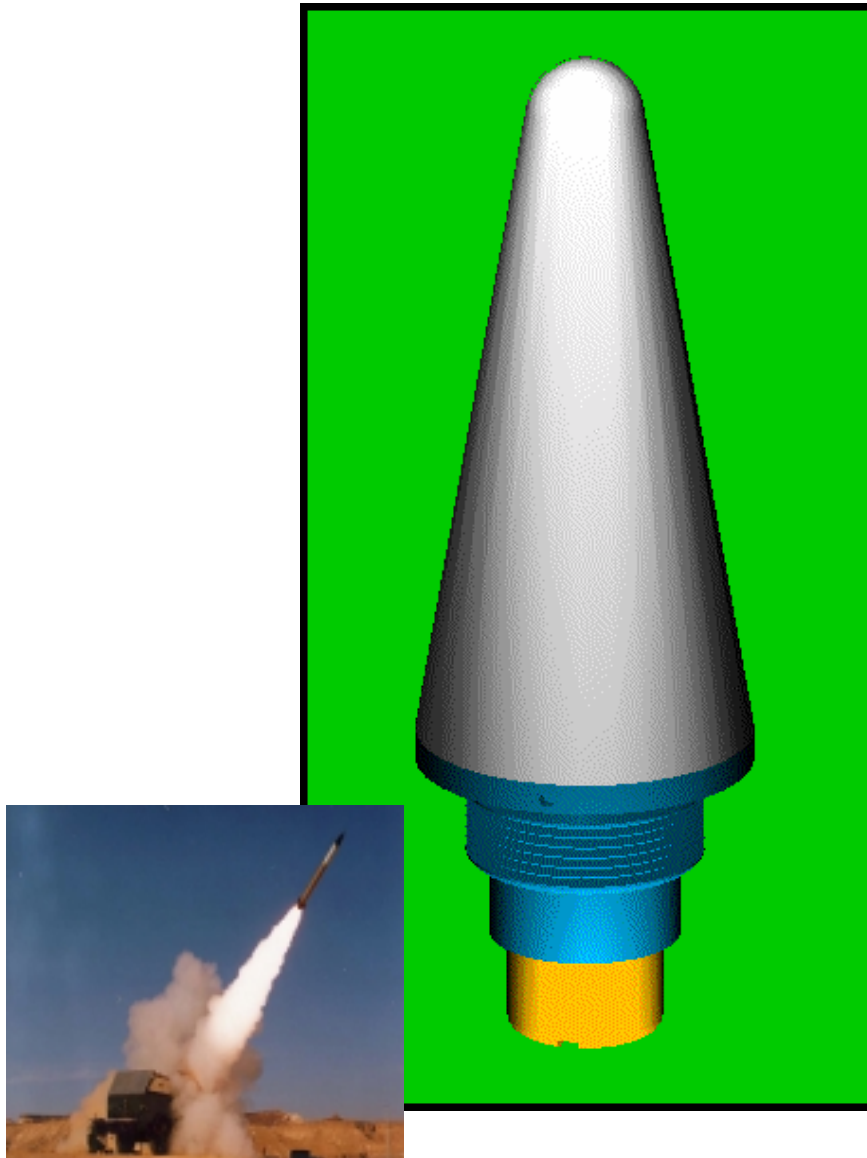
TECHNICAL SHEET PROXIMITY FUSE

Type:

MRV-UP

Code:

1239



SCOPE

Proximity Fuse type MRV-UP is to be used for a reactive stroke 122 mm gauge in normal and enlarged range.

GENERAL DATA

- Rated voltage: 36 Vdc
- Consumed current: 65mA max.
- Blocking period: 20-120 s \pm 0,1 s; programmable launching
- Height of break-through: 5-20 m; programmable launching
- Initiation impulse for capsule: amplitude: 25V min./duration: 30 μ s min.

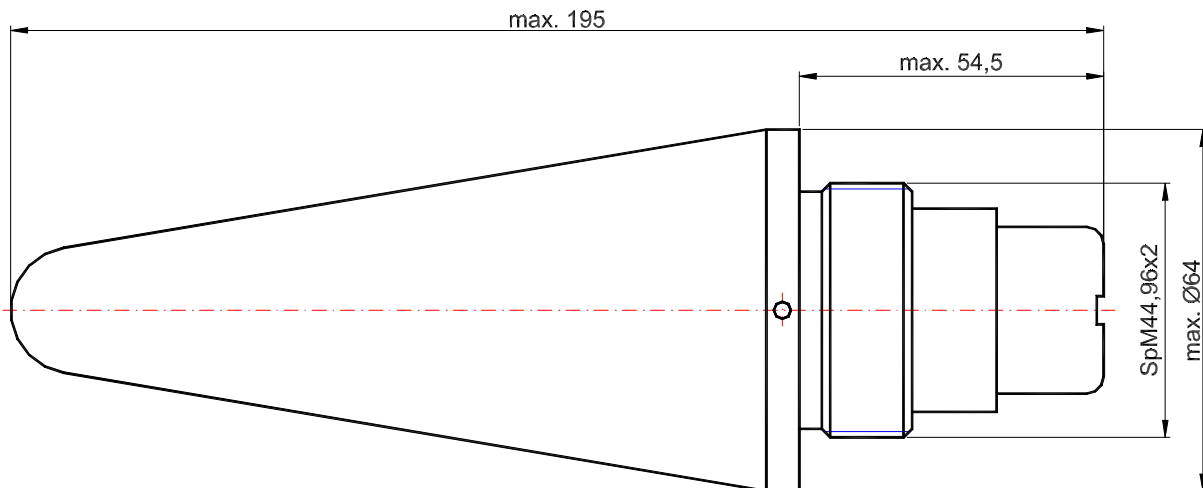


AEROFINA

TECHNICAL SHEET PROXIMITY FUSE

Type:
MRV-UP

Code:
1239



OPERATING CONDITIONS

- Operating temperatures: -40°C...+50°C
- Vibration: 10-2000Hz/15g
- Singular shock: 100g
- Repeated shock: 30g
- Maximum speed: 600 m/s
- Axial acceleration: standard 50g

MOUNTING DATA

- Overall dimensions: Ø64x195 mm max.
- Weight: 0,96 kg max.

TESTING & QUALIFICATION

All testings are accomplished to full MIL-STD-810F requirements.
Product in evolution.

SC AEROFINA SA

5, Fabrica de Glucoza Street, Bucharest, Romania; Zip: 72322;

☎: (4021) 242.07.72, 242.02.65; 📠: 242-09-12; ✉ E-mail: serv@aerofina.ro

www.aerofina.ro